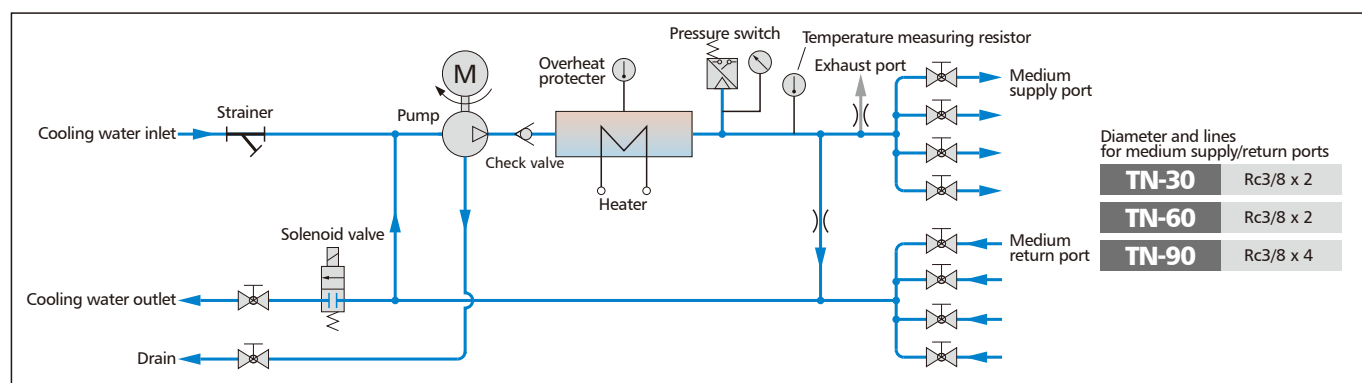


High Accuracy, Compact Mold Temperature Controller

		TN-30	TN-60	TN-90	
Heating medium		Water			
Temperature setting range	°C	Water supply temperature +10 -- Max. 120 (Accuracy: ±1)			
Cooling mechanism		Direct cooling			
Total electric capacity (50/60Hz)	kVA	3.62 / 3.66	6.87 / 6.87	10.59 / 10.59	
Heater	Type	SSC			
	Power	kW	2.32	4.64	6.96
Pump	Type	Cascade pump			
	Motor power	kW	0.37	0.55	1.1
	Max. pressure	MPa	0.4	0.4	0.4
	Max. flowrate	L/min	20 / 24	38 / 46	60 / 74
Controller	Temperature control mechanism	PID			
	Temperature detection mechanism	Pt100 temperature measuring resistor (Set on the medium supply line)			
	Setting and indication mechanism	Touch keys and digital display			
	Timer	Setting range: 0 -- 99 hr (Operation start after set time elapses)			
Piping	Alarm	Pump overload, low water supply pressure, overheating, reverse phase, temperature control error			
	Cooling water inlet	Rc3/8	Rc3/8	Rc3/8	
	Cooling water outlet	Rc3/8	Rc3/8	Rc3/8	
	Medium supply port	Rc3/8 x 2	Rc3/8 x 2	Rc3/8 x 4	
	Medium return port	Rc3/8 x 2	Rc3/8 x 2	Rc3/8 x 4	
Drain	Rc1/8	Rc1/8	Rc1/8		
Cooling water consumption	L/min	6.0 and over	9.0 and over	15.0 and over	
Cooling water pressure	MPa	0.15~0.3	0.1~0.3	0.15~0.3	
Power	Power supply standard	200 / 220V 50 / 60Hz 3ø			
	Power plug	20A-3P plug with protective ground	30A-3P plug with protective ground	Without plug	
Outer dimensions (WxDxH)	mm	230 x 480 x 580	230 x 480 x 690	230 x 530 x 820	
Weight	kg	42	50	65	
Accessories	Heat-resistant hose	8m x 1	8m x 1	16m x 1	
	Hose nipple (1004-9)	x 8	x 8	x 16	
	Adaptor (1013-3/8 x 1/8)	x 8	x 8	x 16	
	Adaptor (1013-3/8 x 1/4)	x 8	x 8	x 16	

TN series flow chart



- The max. flowrate is given for a discharge pressure of 0.1 MPa.
- Specifications are subject to change without notice.