

# DEZAT NS-G series

Quality, Speed and Economy

**STOLZ**  
CO.,LTD.

## Dehumidifying Dryer with Weighing/Mixing Hopper

|                                 |  |                   | NS-10G   | NS-15G                           | NS-25G                          | NS-50G                          |
|---------------------------------|--|-------------------|--|----------------------------------|---------------------------------|---------------------------------|
| Compatible molding machines     | tf   |                   | --20   | 20--40                           | 40--80                          | 80--140                         |
| Drying capacity (in the PC use) | kg/h   |                   | 3.4  | 5.0                              | 9.2                             | 17.2                            |
| Max. working temperature        | °C   |                   | 150  | 150                              | 150                             | 150                             |
| Loading capacity                | L(kg)  |                   | 16.7 (10)  | 25 (15)                          | 42 (25)                         | 85 (50)                         |
| Compressed air                  | Compressor power<br>(Normal Mode/Energy-saving Mode) | kW                | 0.75 / 0.45  | 0.75 / 0.45                      | 1.5 / 0.75                      | 2.2 / 1.5                       |
|                                 | Air pressure   | MPa               | 0.7  | 0.7                              | 0.7                             | 0.7                             |
|                                 | Air consumption<br>(Normal Mode/Energy-saving Mode)  | NL/min            | 80 / 48  | 87 / 52                          | 133 / 80                        | 190 / 114                       |
| Weighing/mixing hopper          | Model  |                   | GM-510   | GM-510                           | GM-820                          | GM-820                          |
|                                 | Applicable pellet size                               | mm                | 2--4   | 2--4                             | 3--6                            | 3--6                            |
|                                 | Weighing capacity                                    | kg/h              | 8 (Virgin and recycled pellet)   | 8 (Virgin and recycled pellet)   | 25 (Virgin and recycled pellet) | 25 (Virgin and recycled pellet) |
|                                 | Weighing accuracy                                    | %                 | ±3   | ±3                               | ±3                              | ±3                              |
|                                 | Mixing capacity                                      | L                 | 0.2  | 0.2                              | 1.0                             | 1.0                             |
|                                 | Mixing motor power                                   | kW                | 0.015  | 0.015                            | 0.025                           | 0.025                           |
|                                 | Air pressure   | MPa               | 0.5--0.7   | 0.5--0.7                         | 0.5--0.7                        | 0.5--0.7                        |
|                                 | Hose dia.  | mm                | 25   | 25                               | 38                              | 38                              |
|                                 | Outer dimensions (WxDxH)                             | mm                | 329 x 220 x 575  | 329 x 220 x 575                  | 426 x 268 x 749                 | 426 x 268 x 749                 |
|                                 | Weight   | kg                | 9  | 9                                | 15                              | 15                              |
| Molding machine hopper          | Model  |                   | ZH-04-P  | ZH-04-P                          | ZH-20-P-A                       | ZH-20-P-A                       |
|                                 | Effective capacity                                   | L                 | 0.1  | 0.1                              | 4.0                             | 4.0                             |
|                                 | Stock detection mechanism                            |                   | Electrostatic contact switch   |                                  |                                 |                                 |
|                                 | Air suction hose dia.                                | mm                | 25   | 25                               | 38                              | 38                              |
|                                 | Stock suction hose dia.                              | mm                | 25   | 25                               | 38                              | 38                              |
| Power                           | Total electric capacity (50/60Hz)                    | kVA               | 2.25 / 2.45  | 2.95 / 2.90                      | 3.46 / 3.40                     | 4.34 / 4.27                     |
|                                 | Power consumption (50/60Hz)                          | kW                | 1.65 / 1.75  | 2.0 / 2.1                        | 2.43 / 2.53                     | 3.25 / 3.35                     |
|                                 | Heater power   | kW                | 1.2  | 1.2                              | 1.6                             | 2.4                             |
|                                 | Dryer blower power (50/60Hz)                         | kW                | 0.05   | 0.05                             | 0.08                            | 0.1                             |
|                                 | Supply blower power (50/60Hz)                        | kW                | 0.4 / 0.5  | 0.75 / 0.85                      | 0.75 / 0.85                     | 0.75 / 0.85                     |
|                                 | Power supply standard                                |                   | 200 / 220V 50 / 60Hz 3ø  |                                  |                                 |                                 |
|                                 | Power plug   |                   | 20A-3P plug with protective ground   |                                  |                                 |                                 |
| Outer dimensions (WxDxH)        | mm   | 800 x 500 x 1,900 | 900 x 500 x 2,040  | 1,120 x 600 x 2,330              | 1,210 x 600 x 2,460             |                                 |
| Weight                          | kg   | 170               | 195  | 225                              | 305                             |                                 |
| Accessories                     | For open conveying system                            | Antistatic hose   | ø25mm x 4m x 1<br>ø38mm x 4m x 1   | ø25mm x 4m x 1<br>ø38mm x 4m x 1 | ø38mm x 4m x 2                  | ø38mm x 4mx 2                   |
|                                 |  | Suction hose      | ø25mm x 4 m x 1  | ø25mm x 4m x 1                   | ø38mm x 4m x 1                  | ø38mm x 4m x 1                  |
|                                 |  | Suction nozzle    | ø25mm x 1<br>ø38mm x 1   | ø25mm x 1<br>ø38mm x 1           | ø38mm x 2                       | ø38mm x 2                       |
|                                 | For close conveying system                           | Antistatic hose   | ø25mm x 4m x 1<br>ø38mm x 4m x 1   | ø25mm x 4m x 1<br>ø38mm x 4m x 1 | ø38mm x 4m x 2                  | ø38mm x 4m x 2                  |
|                                 |  | Suction hose      | ø25mm x 4m x 1   | ø25mm x 4m x 1                   | ø38mm x 4m x 1                  | ø38mm x 4m x 1                  |
|                                 |  | Suction nozzle    | ø38mm x 1  | ø38mm x 1                        | ø38mm x 1                       | ø38mm x 1                       |
|                                 | Common parts   |                   | Compressor connection port (with snap-on coupler) x 1, Plastic container x 2 |                                  |                                 |                                 |

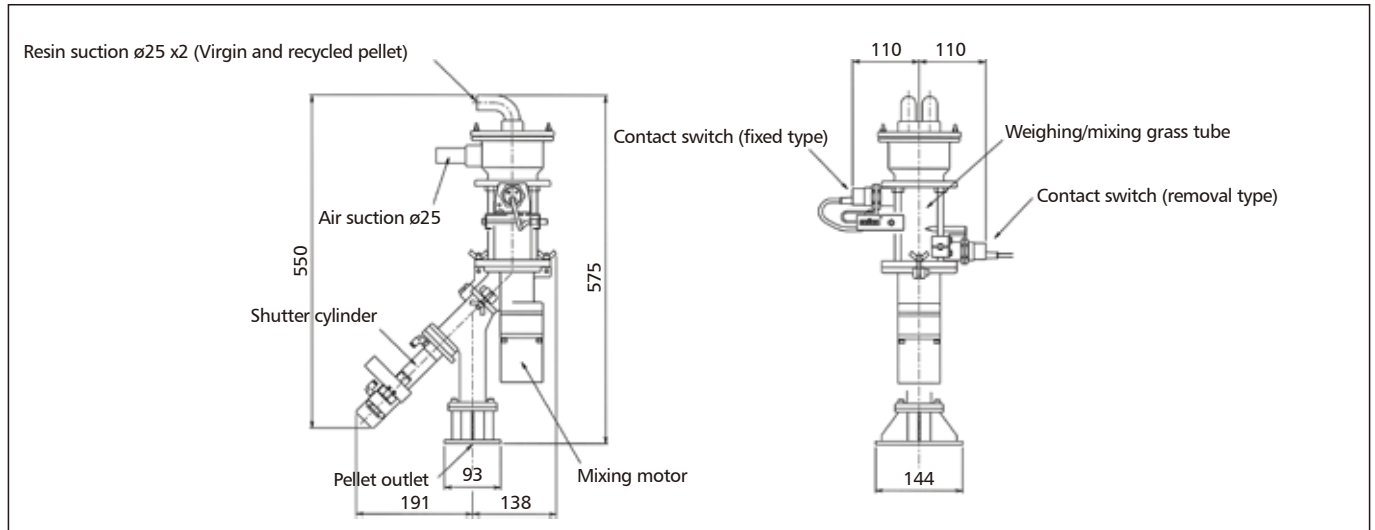
● Values of the weighing/mixing hopper are given for PC pellet of a bulk density of 0.6±0.1g/cm<sup>3</sup>. They may vary according to the physical properties and mixing ratio of stock, and the installation environment of the hopper. ● Specifications are subject to change without notice.

**STOLZ CO.,LTD.**

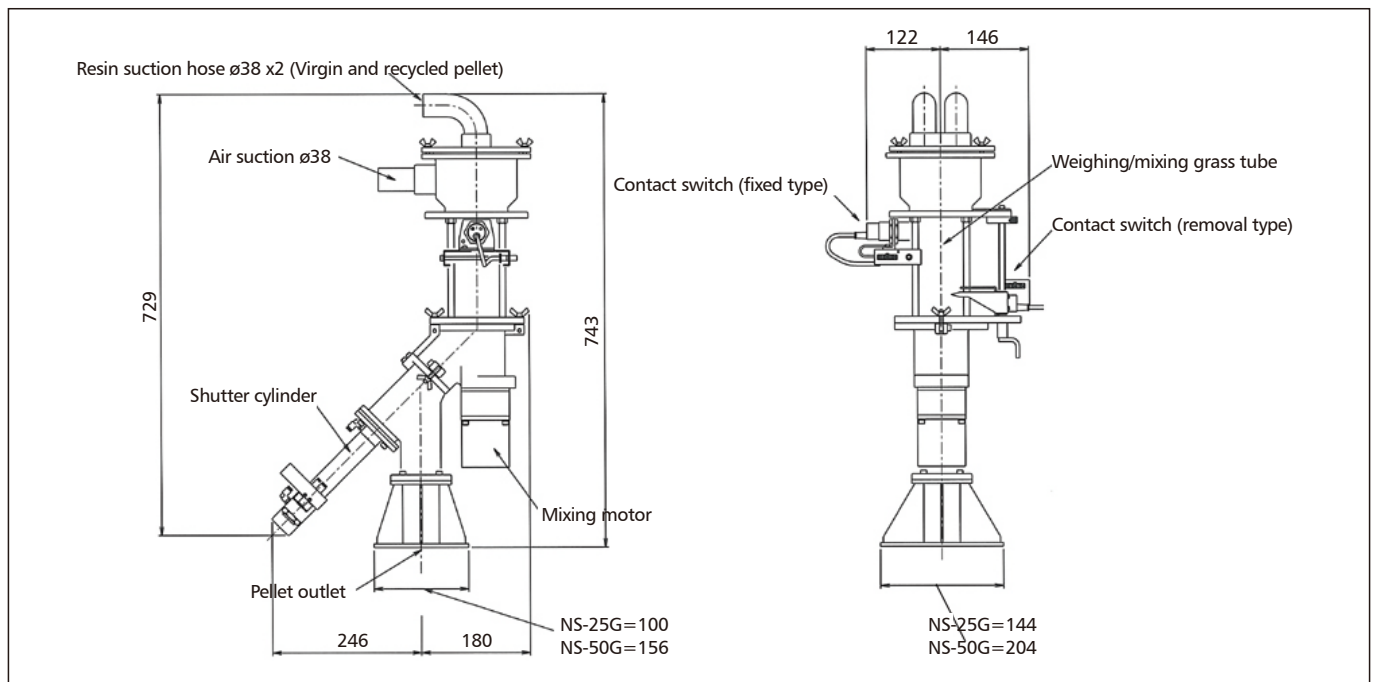
Head Office ■ 2-3-10, Chuo, Murayama City, Yamagata Pref., 995-0035 Japan Tel: +81-237-53-3771 Fax: +81-237-53-3770 E-mail: stolz@stolz.co.jp Web Site: www.stolz.co.jp

## Dehumidifying Dryer with Weighing/Mixing Hopper

### ■ GM-510



### ■ GM-820



● Specifications are subject to change without notice.